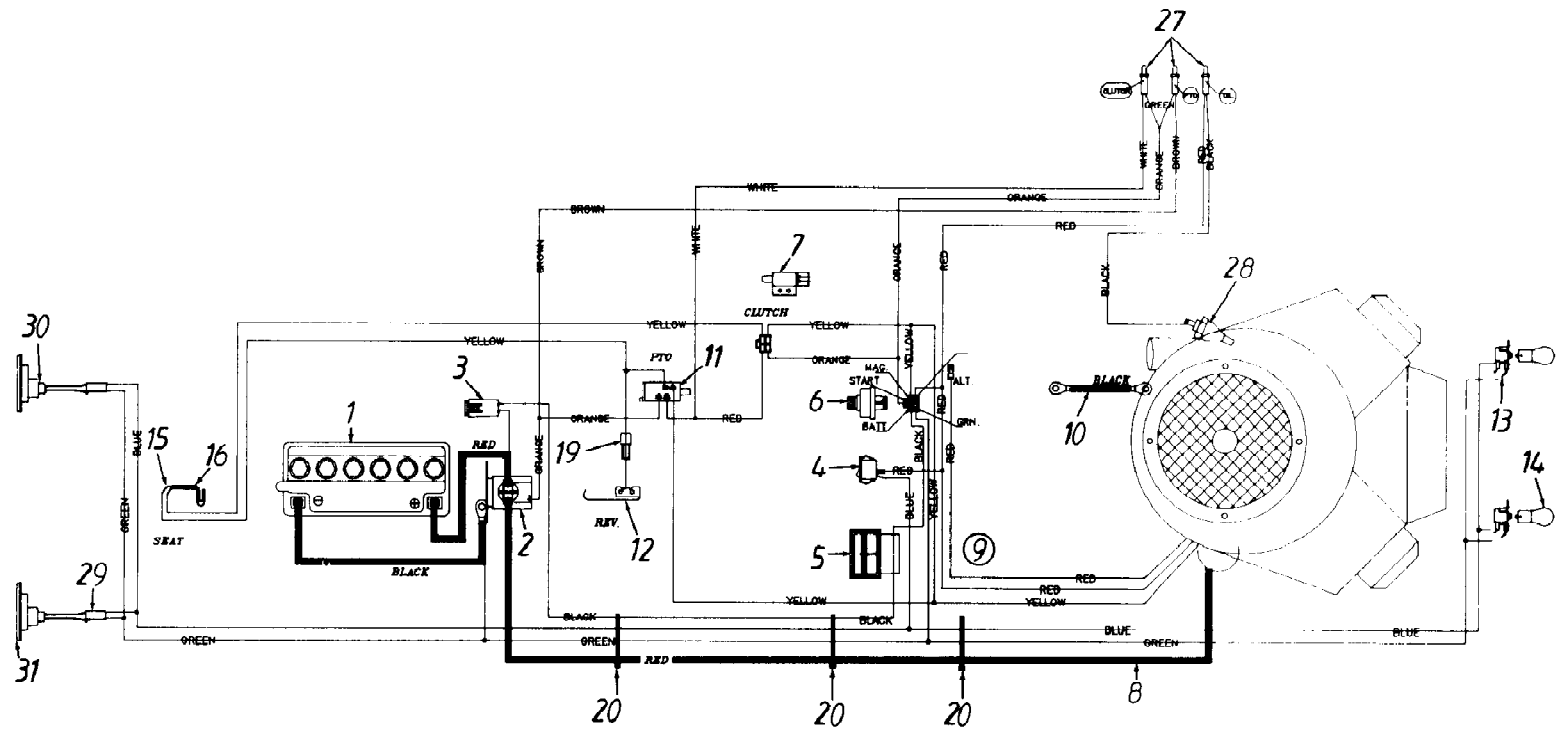


132-736G190 LT-145 (1992)
42" Mower Deck

Page 2 of 27

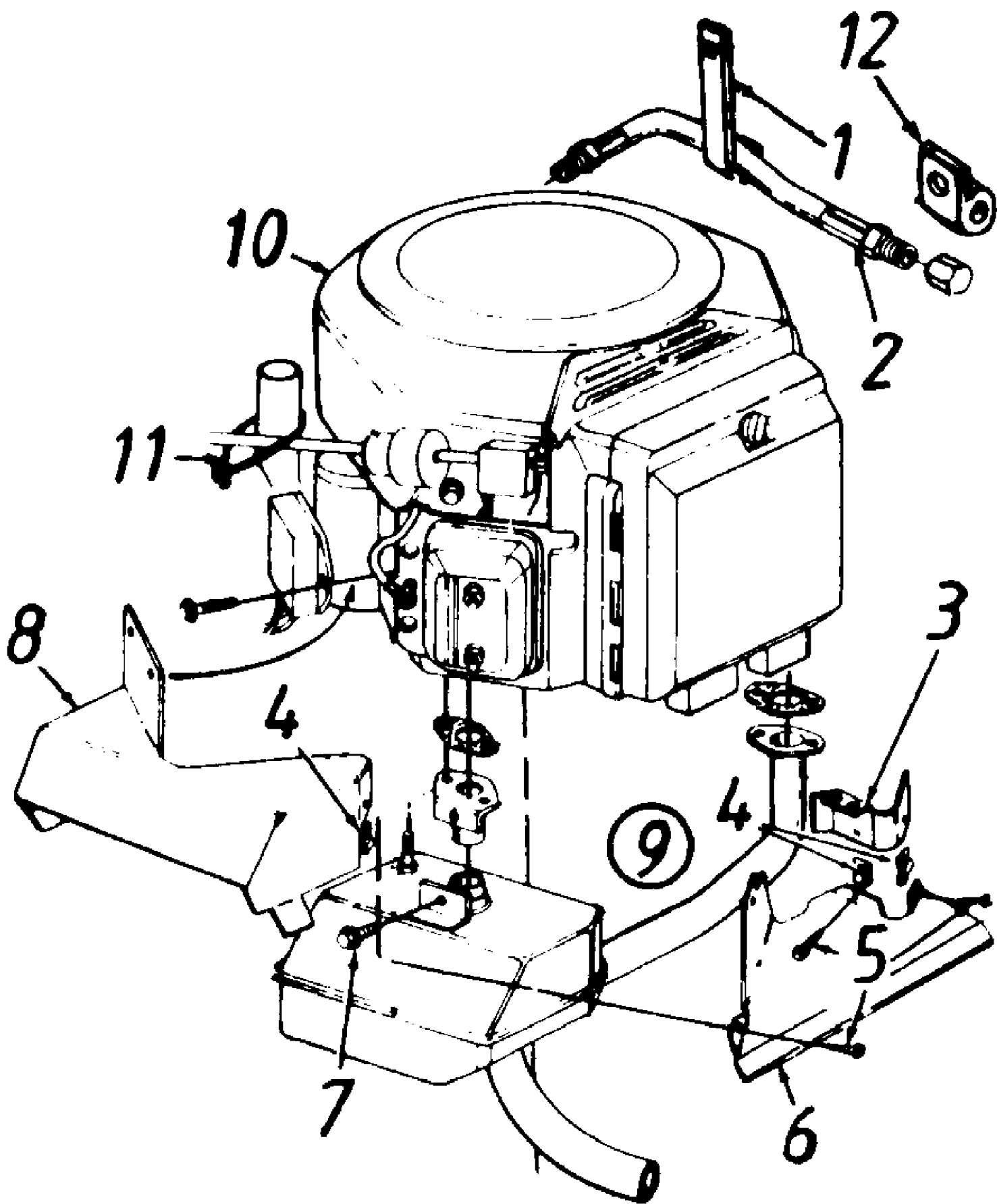
Ref #	Part Number	Qty	S/P/F	Description
3	17600A	1	S	42" Deck Ass'y. Code: N notates a new part (not previously existing).
	813-06119	1	S	42" Deck Ass'y. Comp. (For Service Only)
4	17664	1	S	Belt Guard Deck
6	710-0152	1	S	Hex Bolt 3/8-24 x 1.0" Lg.
7	710-0599	1	/P	Hex Wash. Hd. TT-Tap Scr. 1/4-20 x .5" Lg.
8	710-0258	1	S	Hex Bolt 1/4-20 x .62"
9	710-0888	1	/P	Hex Bolt Special 5/16-24 x 1.0"
10	711-0792	1	S	Hinge Pin
11	712-0123	1	/P/F	Hex Nut 5/16-24 Thd.
13	712-0181	1	S	Hex Top L-Nut 3/8-16 Thd.
14	712-0287	1	S/F	Hex Nut 1/4-20 Thd.
17	734-0973	1	/P	Deck Wheel - 5"
18	736-0105	1	/P	Bell-Wash. .40" I.D. x .88" O.D.
19	736-0119	1	S/F	L-Wash. 5/16" I.D.
20	736-0217	1	S	L-Wash. 3/8" I.D. - H.D.
22	738-0373	1	S	Shld. Bolt .498" Dia. x 1.53"
23	742-0499A	1	S	High-Lift Blade Code: N notates a new part (not previously existing).
25	748-0300	1		Blade Adapter
26	754-0371A	1	S	V-Belt
27	736-0270	1	/P	Bell-Wash. 1/4" I.D.
28	09322	1		Brake Disc
33	710-0157	1	/P	Hex Bolt 5/16-24 x .75" Lg.
35	712-0318	1	/P	Hex Jam Nut 5/8-18 Thd.
37	736-0158	1	S/F	L-Wash. 5/8" I.D.
39	717-0906	1	S	Blade Spindle Ass'y. Comp.
42	756-0556	1		5.5" Dia. Pulley
52	703-1693	1	S	Hinge Mtg. Brkt.
53	732-0602	1	S	Torsion Spring
54	726-0106	1	S	Push Nut
55	731-1032	1	S	Chute Ass'y. Comp. (Incl. Ref. 10, 52, 53, 54, 55)
56	710-0157	1	/P	Hex Bolt 5/16-24 x .75" Lg.
57	17493A	1	S	Deck Hanger Channel
58	736-0242	1	/P	Bell-Wash. .345" I.D. x .88"
59	710-0167	1	/P	Carr. Bolt 1/4-20 x .5" Lg.
60	17861A	1	S	Deck Skirt Ext. - Long Code: N notates a new part (not previously existing).
61	17961	1	S	Deck Skirt Ext. - Short
62	712-0271	1	/P	Hex Sems Nut 1/4-20 Thd.



132-736G190 LT-145 (1992)
Electrical System

Page 4 of 27

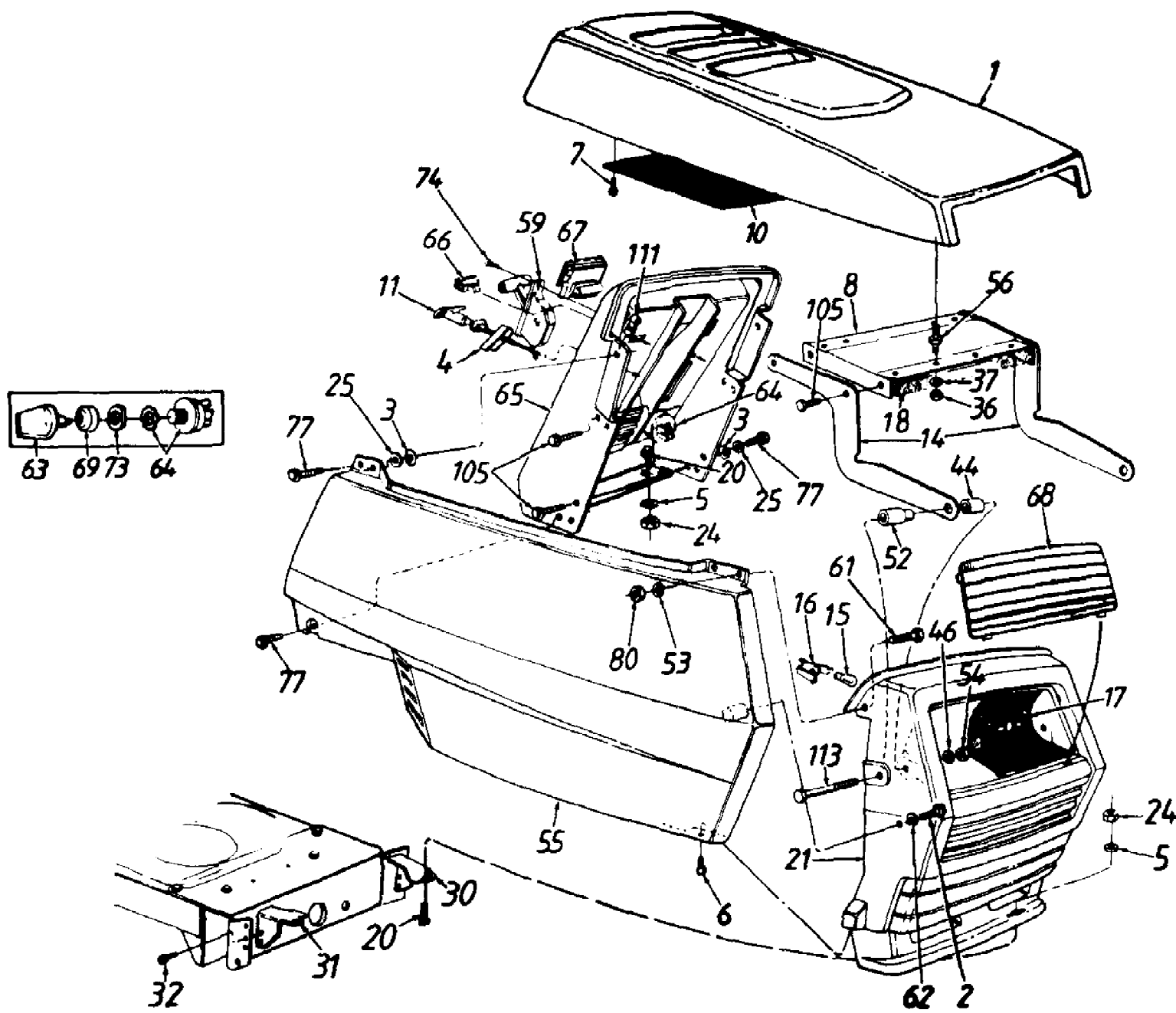
Ref #	Part Number	Qty	S/P/F	Description
1	725-1635	1	S	Battery - 12V
2	725-1426	1	S	Solenoid
3	725-1381	1	S	Fuse 20 Amps
4	725-0634	1	S	Light Switch
5	725-0925	1	S	Ammeter
6	725-1396	1	S	Ignition Switch
7	725-3169A	1	S	Safety Switch (Clutch)
8	725-1081	1	S	Electric Wire - 30.0" Lg.
9	629-0063	1		Wire Harness Code: N notates a new part (not previously existing).
10	725-0980	1		Ground Wire - 7.5" Lg.
11	725-0803C	1	S	Safety Switch (Deck)
12	725-1643	1		Safety Switch (Reverse) Code: N notates a new part (not previously existing).
13	725-1649	1	S	Headlight Socket (Style 0, 6) Code: N notates a new part (not previously existing).
	725-1650	1	S	Headlight Socket (Style 4, 9) Code: N notates a new part (not previously existing).
14	725-0963	1	S	Headlight Bulb
15	725-1303	1	S	Safety Switch (Seat)
16	725-1439	1		Safety Switch (Seat)
19	725-1548	1		Ext. Wire
20	726-0197	1		Cable Tie
27	725-1365	1	S	Bulb
28	751-0537	1		Oil Pressure Switch
29	725-1380	1		Taillight Harness
30	725-3018	1		Taillight
31	725-3020	1	S	Taillight Bulb



132-736G190 LT-145 (1992)
Engine

Page 6 of 27

Ref #	Part Number	Qty	S/P/F	Description
1	726-3009	1		Clamp
2	727-0434	1		Hydraulic Hose 13" Lg.
3	16877	1		Front Heat Shield Ext.
4	712-0147	1	/P	Speed Nut #10-24 Thd.
5	710-0429	1	S	Hex B-Tap Scr. #10 x .38" Lg
6	16876A	1		Front Heat Shield
7	710-0599	1	/P	Hex Wash. Hd. TT-Tap Scr. 1/4-20 x .5" Lg.
8	16875A	1		Muffler Heat Shield
9	751-0469A	1		Muffler Ass'y. Comp.
10		1		Engine
11	726-0240	1	S	Cable Tie
12	726-0268	1		Cable Clip



132-736G190 LT-145 (1992)
Hood, Side Covers And Dash Panel

Page 8 of 27

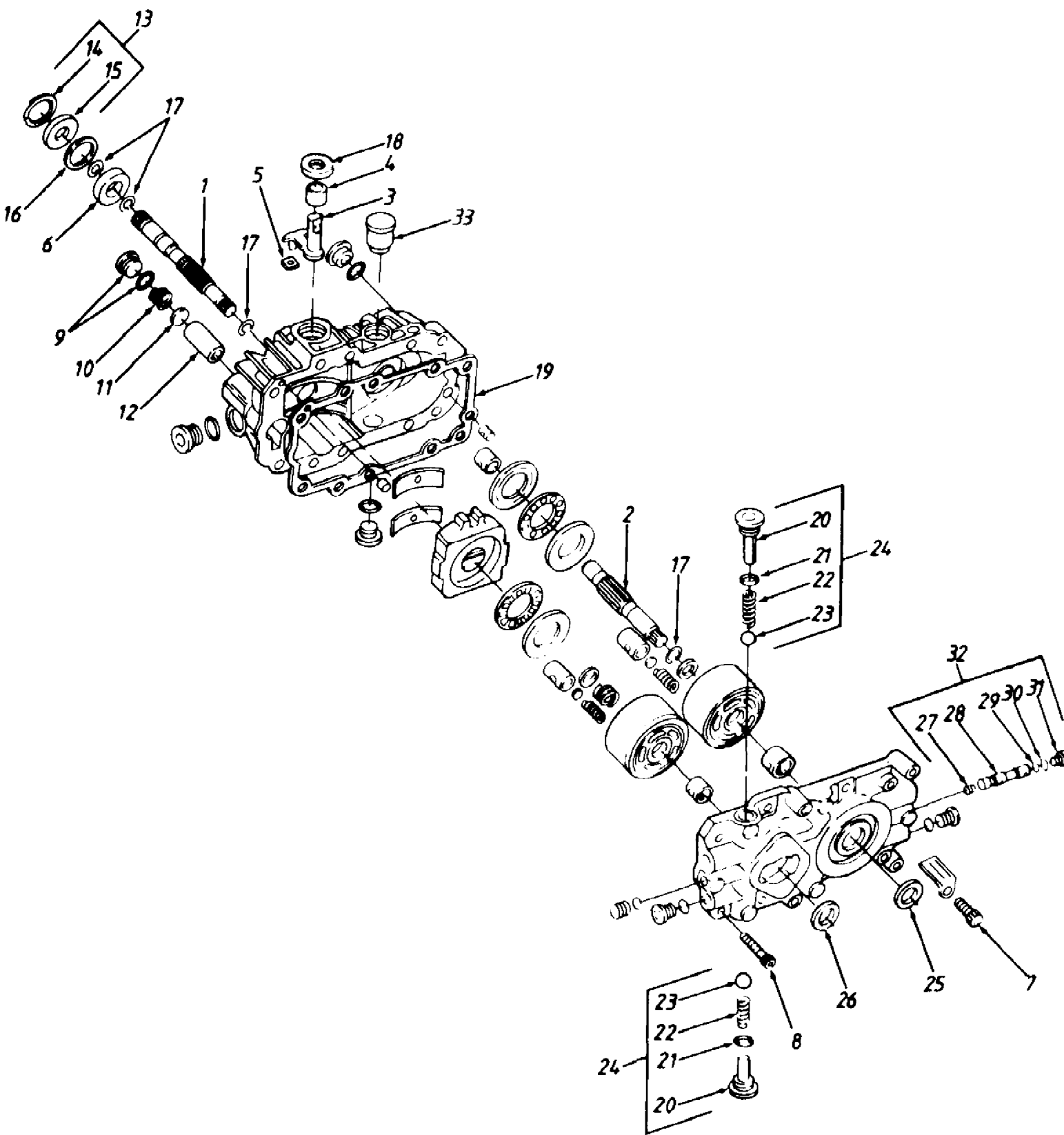
Ref #	Part Number	Qty	S/P/F	Description
1	731-1371	1		Hood
2	710-0896	1	/P	Hex Wash. B-Tap Scr. 1/4 x .62" Lg.
3	726-0233	1	/P	Bolt Retainer 1/4" I.D.
4	17782	1		Retainer Clip
5	736-0275	1	S	FI-Wash. .34" I.D. x .68"
6	710-0224	1	S	Truss Mach. AB-Tap Scr. #10 x .5" Lg.
7	710-0200	1		Hex Wash. Hd. AB-Tap Scr. #8 x .5" Lg.
8	16903A	1	S	Hood Plate Code: N notates a new part (not previously existing).
10	723-0416	1		Screen
11	746-0614A	1	/P	Choke Control 38" Lg.
14	16902	1		Hood Hinge
15	725-0963	1	S	Lamp
16	725-1649	1	S	Twist Lock - Lamp Socket Code: N notates a new part (not previously existing).
17	777-8516	1		Reflector - Headlight
18	722-0199	1		Foam Seal
20	710-0118	1	S/F	Hex Bolt 5/16-18 x .75" Lg.
21	731-1373	1		Grille Code: N notates a new part (not previously existing).
24	712-0267	1	S/F	Hex Nut 5/16-18 Thd.
25	736-0176	1	S	FI-Wash. 1/4" I.D. x .93" O.D.
30	705-0167	1		Grille Mount Brk't. - L.H.
31	705-0166	1		Grille Mount Brk't. - R.H.
32	710-0726	1	/P	Hex Wash. Hd. AB-Tap Scr. 5/16 x .75" Lg.
36	712-0287	1	S/F	Hex Nut 1/4-20 Thd.
37	736-0270	1	/P	Bell-Wash. .265" I.D. x .75"
44	750-0755	1		Spacer.33" I.D. x .625" O.D
46	736-0278	1		FI-Wash. .328" I.D. x .68" O.D.
52	750-0754	1		Shld. Spacer .33" I.D.
53	736-0142	1	S	FI-Wash. .281" I.D. x .5" O.D.
54	712-0158	1	S	Hex L-Nut 5/16-18 Thd.
55	683-0018	1	S	Side Cover Ass'y. - R.H. Code: N notates a new part (not previously existing).
	683-0017	1		Side Cover Ass'y. - L.H. (Not shown). Code: N notates a new part (not previously existing).
56	710-1034	1		Double Ended Stud 1/4-20 Thd.
59	831-0823A	1	/P	Throttle Control Box Ass'y.
61	710-0258	1	S/F	Hex Bolt 1/4-20 x .62" Lg.
62	736-0173	1	/P	FI-Wash. .281" I.D. x .73" O.D.
63	725-1341B	1	/P	Ignition Key
64	725-1396	1	S	Ignition Switch
65	731-0961A	1	/P	Dash Panel Code: N notates a new part (not previously existing).
66	725-0634	1	S	Light Switch
67	725-0925	1	S	Ammeter
68	731-1038	1	S	Lens
69	725-1347	1	/P	Ignition Switch Cap
73	725-1346	1	S	Ignition Switch Nut
74	710-0779A	1		AB-Tap Scr. #10 x .5" Lg.

132-736G190 LT-145 (1992)
Hood, Side Covers And Dash Panel

Page 9 of 27

Ref #	Part Number	Qty	S/P/F	Description
77	710-0642	1	/P	Hex Wash. Hd. Tap Scr. 1/4 x .75" Lg.
80	712-0291	1	S	Hex L-Nut 1/4-20 Thd.
105	710-0599	1	/P	Hex Tap Scr. 1/4-20 x .5" Lg.
111	712-0185	1		Speed Nut 1/4-20 Thd.
113	710-0176	1	/P	Hex Bolt 5/16-18 x 2.75"

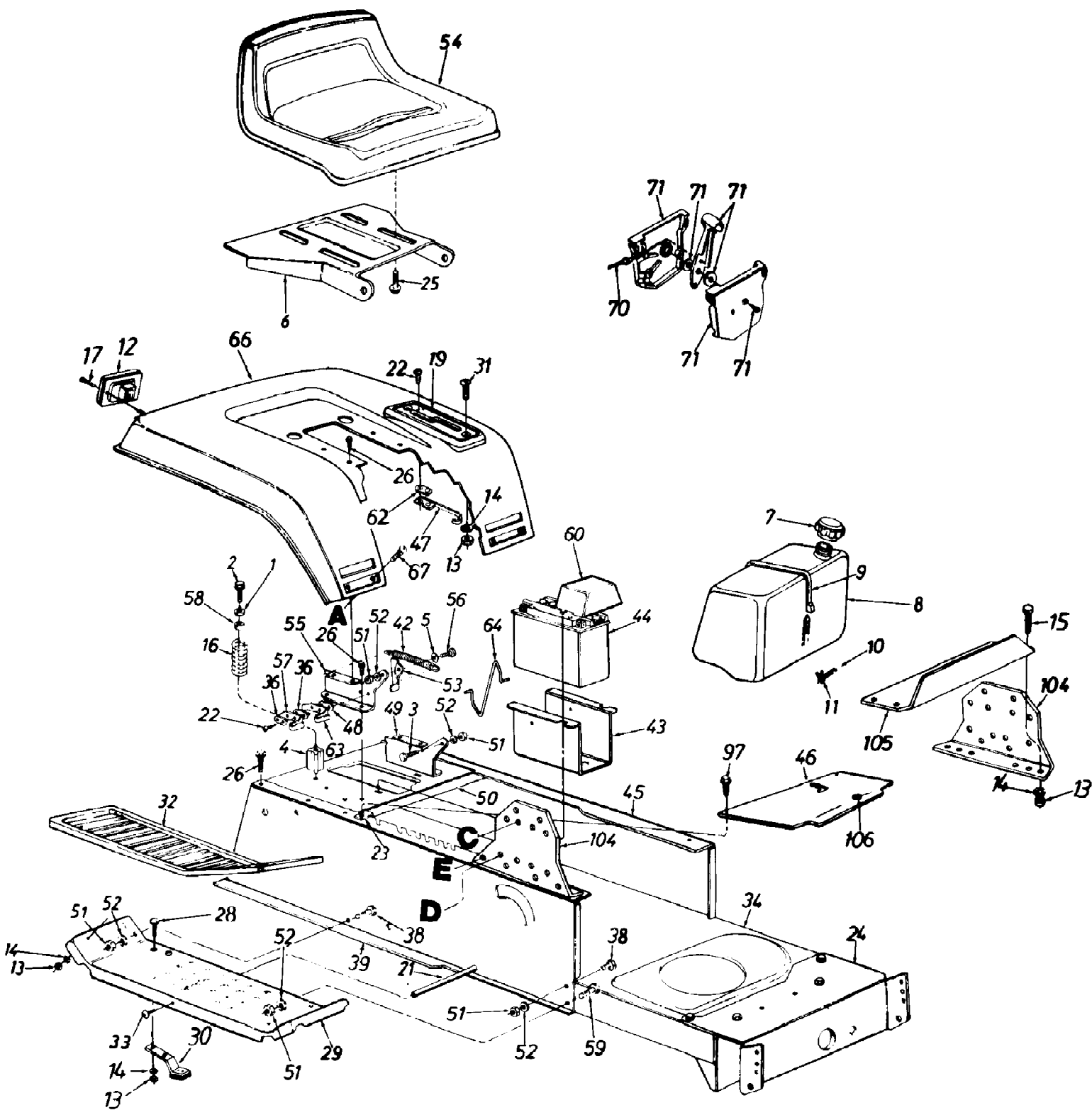
132-736G190 LT-145 (1992)
Hydrostatic Transmission



132-736G190 LT-145 (1992)
Hydrostatic Transmission

Page 11 of 27

Ref #	Part Number	Qty	S/P/F	Description
	717-0940	1		Hydrostatic Transmission
1	SU-J1721204	1	S	Shaft - Pump
2	SU-J1020577	1		Shaft - Motor
3	SU-2003005	1	S	Arm, Trunnion
4	SU-2003009	1		Bearing, Journal
5	SU-2000015	1	S	Guide, Slot
6	SU-2003043	1	S	Bearing, Ball
7	SU-9007314-0805	4		Screw, Socket Head
8	SU-9007314-0808	4	S	Screw, Socket Head
9	SU-9005110-8700	1	S	Plug
10	SU-2003010	1	S	Spring, Filter
11	SU-2000011	1	S	Washer, Filter
12	SU-2003003	1	S	Filter
13	SU-2513001	1	/P	Kit, Seal (Includes Ref. No. 14 & 15)
14	SU-JISB2804A35	1	S	Ring, Retaining
15	SU-JSP0632	1	S	Seal, Lip
16	SU-2003018	1	S	Spacer
17	SU-2003016	4	S	Ring, Retaining
18	SU-9008000-0126	1	S	Seal, Lip
19	SU-2003001	1	S	Gasket
20	SU-J1041007	2		Plug
21	SU-9004201-3700	2	S	O-Ring
22	SU-2003012	2		Spring
23	SU-JHKW03	2	S	Ball
24	SU-2513014	2	S	Kit, Check Valve (Includes Ref. No. 20, 21, 22 & 23)
25	SU-9008000-0127	1	S	Seal, Lip
26	SU-9008000-0125	1	S	Seal, Lip
27	SU-2003011	1	S	Spring
28	SU-2003061	1		Spool, Bypass
29	SU-9004175-0027	1	S	O-Ring
30	SU-9004201-2500	1	S	O-Ring
31	SU-J1041153	1		Plug
32	SU-2513011	1	S	Kit, Bypass Valve (Includes Ref. No. 27, 28, 29, 30 & 31)
	SU-2513013	1	S	Kit, Overhaul Seal [Includes Ref. No. 14, 15, 16, 17 (Qty. 4), 18, 19, 21 (Qty. 2), 25, 26, 29 & 30]
33	717-3049	1	S	Reservoir



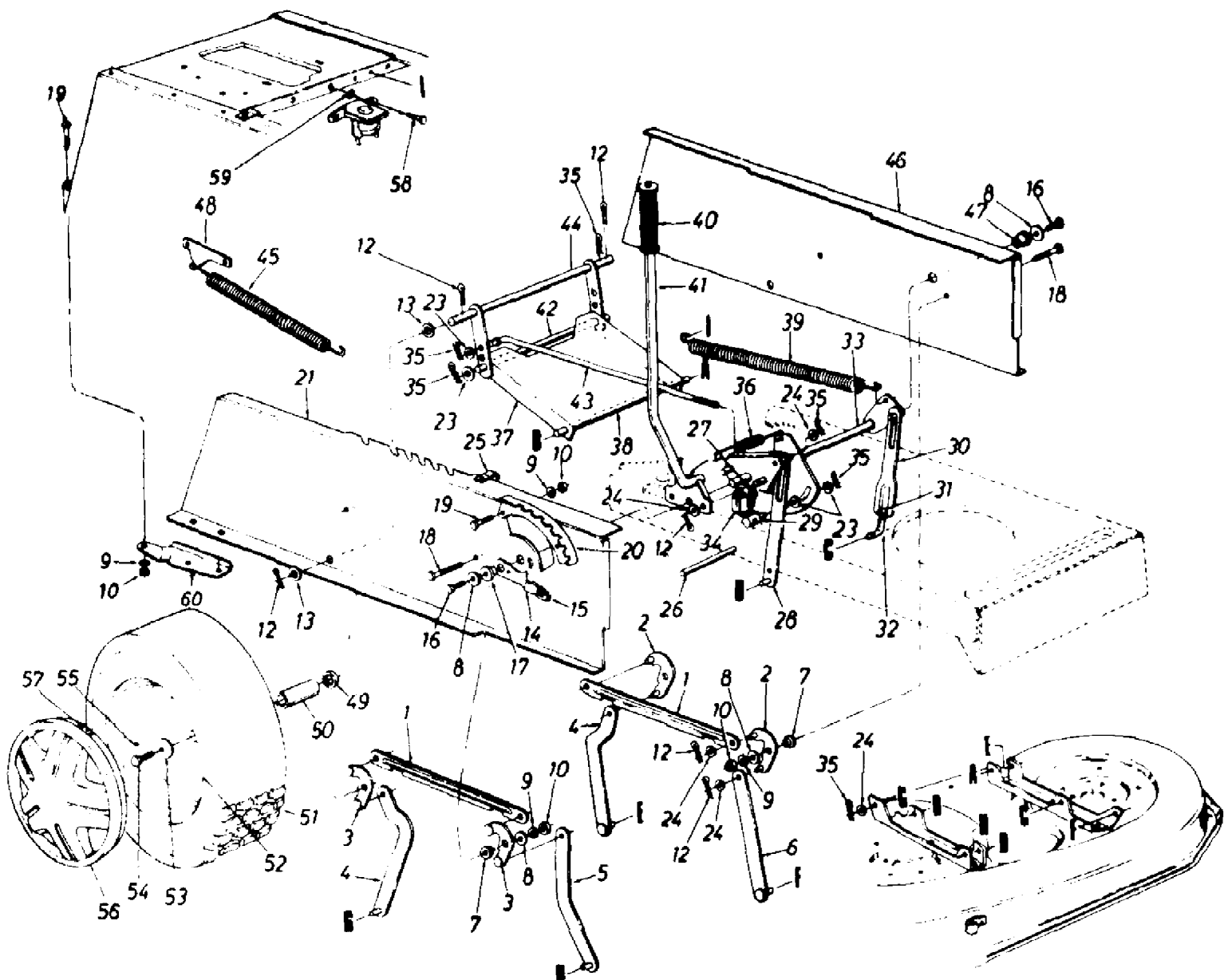
Lower Frame, Seat, Running Boards And Rear Fender

Ref #	Part Number	Qty	S/P/F	Description
1	736-0159	1	S	FI-Wash. .344" I.D. x .875"
2	710-1208	1	/P	Hex Wash. Hd. Tap Scr. 5/16-18 x 3.25" Lg.
3	738-0155	1	S	Shld. Bolt .437" Dia. x .162"
4	748-0347	1	S	Spring Spacer
5	736-0141	1	S	Spr-Wash. .445" I.D. x .75
6	15607D	1	S	Seat Pivot Bracket
7	751-3071	1	S	Fuel Cap w/o Gasket
8	751-0555	1	S	Fuel Tank
9	726-0209	1	/P	Tie Strap
10	751-0535-26	1	S	Fuel Line
11	726-0205	1	/P	Hose Clamp
12	725-3018	1		Taillight Ass'y.
13	712-0287	1	S/F	Hex Nut 1/4-20 Thd.
14	736-0329	1	S	L-Wash. 1/4" I.D.
15	710-0258	1	S/F	Hex Bolt 1/4-20 x .62" Lg.
16	732-0672	1	S	Compression Spring
17	710-0936	1		Truss Hd. AB-Tap Scr. #6 x .62" Lg.
19	731-1053A	1	S	Speed Control Index Brkt.
21	738-0526	1		Running Board Rod
22	710-0227	1	/P	Hex Wash. Hd. AB-Tap Scr. #8 x .50" Lg.
23	726-0139	1	/P	Speed Nut #10Z
24	17621	1	S	Front Pivot Brkt.
25	710-0623	1	/P	Hex Tap Scr. 3/8-16 x .75"
26	710-0726	1	/P	Hex Wash. Hd. AB-Tap Scr. 5/16 x .75" Lg.
28	710-0134	1	/P/F	Carriage Bolt 1/4-20 x .62"
29	17770	1	S	Running Board (R.H. & L.H.)
30	761-0168A	1	S	Blade Brake Ass'y.
31	710-0924	1	/P	Truss Mach. Scr. 1/4-20 x .75" Lg.
32	731-0911	1		Rubber Foot Pad - L.H. (Optional)
	731-0912	1		Rubber Foot Pad - R.H. (Optional)
33	710-0323	1	/P/F	Truss Mach. Scr. 5/16-18 x .75" Lg.
34	17620C	1	S	Lower Frame Code: N notates a new part (not previously existing).
36	726-0279	1		Insulator Plate
38	710-0118	1	S/F	Hex Bolt 5/16-18 x .75" Lg.
39	17622B	1	S	Upper Frame - R.H. Code 483/N
42	732-0581B	1	S	Extension Spring 5.31" Lg.
43	17952	1	S	Battery Tray
44	725-1635	1	S	12-V Battery (275 Cold Crank Amps)
45	17623	1	S	Upper Frame - L.H. Code 483
46	17775	1		Shift Cover
47	725-1643	1		Reverse Safety Switch Code: N notates a new part (not previously existing).
48	726-0278	1		Insulator Boss Plate
49	17951	1	S	Seat Pivot Brkt. Support - L.H.
50	17953	1		Hitch Plate
51	712-0267	1	S/F	Hex Nut 5/16-18 Thd.
52	736-0119	1	S/F	L-Wash. 5/16" I.D.
53	17239A	1	S	Seat Lift Brkt.
54	757-0351	1		Seat
	757-0338	1	S	Seat - 10-5/8" High
	757-0350	1	S	Seat - 10-5/8" High

Lower Frame, Seat, Running Boards And Rear Fender

Ref #	Part Number	Qty	S/P/F	Description
55	17950	1	S	Seat Pivot Brkt. Support - R.H.
56	738-0296	1	S	Shld. Bolt .437" Dia. x .268"
57	725-1303	1	S	Spring Switch
58	722-0160	1		Bushing
59	710-0650	1	/P	Hex Wash. Hd. Scr. 5/16-18 x .87" Lg.
60	731-1200	1		Battery Cover
62	726-0320	1	S	Insulator Nut Plate Code: N notates a new part (not previously existing).
63	725-1439	1		Safety Switch (Seat)
64		1		UNKNOWN
66	17328B	1		Fender Code 483/N
67	710-0167	1	/P	Carriage Bolt 1/4-20 x .62" Lg.
70	746-0634	1	S	Throttle Wire
71	831-0823A	1	/P	Throttle Control Box Ass'y.
97	710-0351	1	/P	Truss Mach. B-Tap Scr. #10 x .5" Lg.
104	17300D	1		Dash Support Brkt. (Not Used on Style 0)
105	17633A	1	S	Gas Tank Support Brkt. Code: N notates a new part (not previously existing).
	17632A	1	S	Gas Tank Support Brkt. (Style 0 Only). Code: N notates a new part (not previously existing).
106	731-0405	1		Snap Bushing

132-736G190 LT-145 (1992)
Mower Deck Lift Linkage And Wheel



132-736G190 LT-145 (1992)
Mower Deck Lift Linkage And Wheel

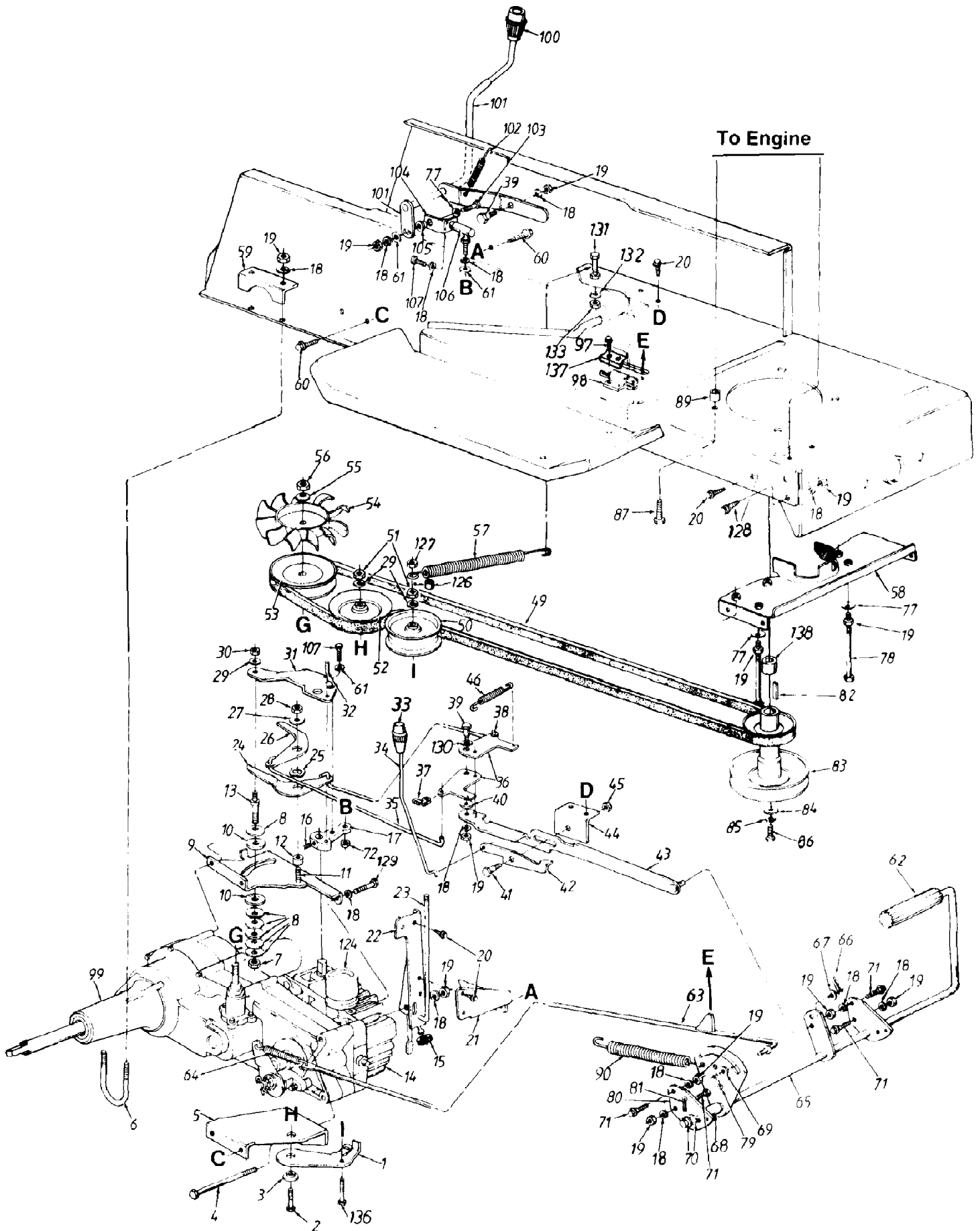
Page 16 of 27

Ref #	Part Number	Qty	S/P/F	Description
1	09735A	1		Connecting Rod
2	17640	1	S	Pivot Link Ass'y. - L.H.
3	17641	1		Pivot Link Ass'y. - R.H.
4	17710	1	S	Deck Hanger Link Ass'y.
5	14800A	1	S	Deck Hanger Link Ass'y.
6	14804A	1		Deck Hanger Link Ass'y.
7	748-0331	1	S	Shld. Spacer .318" I.D.
8	736-0264	1	S	FI-Wash. .344" I.D. x .62" O.D.
9	736-0119	1	S/F	L-Wash. 5/16" I.D.
10	712-0267	1	S/F	Hex Nut 5/16-18 Thd.
12	714-0470	1	S	Cotter Pin 1/8" Dia.
13	736-0256	1	S	FI-Wash. .635" I.D. x 1.0" O.D.
14	732-0412A	1	S	Deck Lift Stop (Incl. Ref. 15)
15	08540	1	/P	Knob
16	710-0604	1	S	Hex TT-Tap Scr. 5/16-18 x .75"
17	748-0176	1		Flange Brg. .63" I.D.
18	710-1238	1	/P	Hex Wash. Hd. Scr. 5/16-18 x .875" Code: N notates a new part (not previously existing).
19	710-0118	1	S	Hex Bolt 5/16-18 x .75" Lg.
20	17730	1	S	Index Brkt.
21	17622B	1	S	Upper Frame - R.H. Code: N notates a new part (not previously existing).
23	736-0267	1	S	FI-Wash. .385" I.D. x .87" O.D.
24	736-0160	1	S	FI-Wash. .531" I.D. x .93" O.D.
25	726-0272	1	/P	Clamp
26	738-0526	1		Running Board Rod
27	710-3007	1	/P	Hex Tap Scr. #12 x .375"
28	14802A	1	S	Link Deck Lift Ass'y.
29	711-0723A	1	S	Adj. Ferrule 3/8-24 Thd.
30	17712	1	S	Adj. Deck Lift Link
31	712-3066	1	S	Hex Nut 1/2-20 Thd. (Gr. 5)
32	711-0841	1	S	Lift Link Adjuster
33	17637A	1		Lift Shaft Ass'y. Code: N notates a new part (not previously existing).
34	725-0803C	1	S	Safety Switch (Deck)
35	714-0145	1	S	Inter. Cotter Pin 3/8" Dia.
36	732-0637	1	S	Extension Spring
37	17636A	1	S	Stabilizer Bracket
38	738-0670	1	S	Shaft 1/2" Dia. x 10.28" Lg.
39	732-0638	1		Extension Spring
40	720-0233	1	S	Grip (Lift Handle)
41	17675	1	S	Deck Lift Handle Ass'y.
42	710-0233	1		Weld Pin
43	747-0598	1		Disengagement Rod
44	17624	1	S	Stabilizer Shaft Ass'y.
45	732-0556	1	S	Extension Spring
46	17623	1	S	Upper Frame - L.H.
47	741-0313	1	S	Flange Brg. .632" I.D.
48	17820	1		Deck Spring Brkt.
49	736-0188	1	/P	FI-Wash. .76" I.D. x 1.49" O.D.
50	731-1086	1	S	Sleeve .75" I.D. x 1.0" O.D.

132-736G190 LT-145 (1992)
Mower Deck Lift Linkage And Wheel

Page 17 of 27

Ref #	Part Number	Qty	S/P/F	Description
51	734-1675	1		Wheel Ass'y. Comp.
	734-1596	1		Tire Only
52	734-0603A	1	S	Wheel Rim Only
53	736-0242	1	/P	Bell-Wash. .345" I.D. x .88"
54	710-0627	1	/P	Hex L-Bolt 5/16-24 x .75" Lg.
55	734-0255	1	S	Air Valve
56	734-1757	1		Hub Cap
57	727-0425B	1	S	Spring Clip Code: N notates a new part (not previously existing).
58	710-0599	1	/P	Hex Wash. Hd. TT-Tap Scr. 1/4-20 Thd.
59	736-0222	1	S	Ext. L-Wash. 1/4" I.D.
60	17668	1	S	Axle Support Brkt. - R.H.
	17669	1	S	Axle Support Brkt. - L.H. (Not shown)



132-736G190 LT-145 (1992)
Speed Selector, Clutch/Brake And Transaxle

Page 19 of 27

Ref #	Part Number	Qty	S/P/F	Description
1	17746	1		Idler Bracket
2	710-0427	1	S	Hex Bolt 3/8-16 x 2.0" Lg.
3	738-0347	1	S	Shld. Spacer .625" I.D.
4	710-3195	1		Hex Bolt 5/16-18 x 4.5" Lg. (Gr. 5)
5	17747	1		Idler Plate
6	710-3193	1		U-Bolt 5/16-18 x 1.75" Lg.
7	712-0116	1	S	Hex L-Nut 3/8-24 Thd.
8	736-0219	1	S	Bell-Wash. .40" I.D. x 1.13"
9	17743	1		Mounting Bracket
10	761-0196	1	S	Friction Washer
11	710-1012	1	/P	Rib Neck Bolt 5/16-24 x .84" Lg.
12	750-0808	1	/P	Spacer
13	738-0827	1		Axle
14	717-0940	1		Hydrostatic Pump
15	735-0126	1	S	Rubber Washer .33" I.D.
16	710-0257	1		Set Screw
17	748-0328A	1	/P	Pintle Shift Lever
18	736-0119	1	S/F	L-Wash. 5/16" I.D.
19	712-0267	1	S/F	Hex Nut 5/16-18 Thd.
20	710-0599	1	/P	Hex TT-Tap Scr. 1/4-20 x .5"
21	17769	1		Reinforcement Plate
22	17744	1		Transmission Torque Brkt.
23	747-0764	1		Release Valve Rod
24	17737	1		Reverse Arm
25	736-0174	1	/P	Spring Washer.625" I.D.
26	17745	1		Forward Arm
27	736-3078	1	/P	FI-Wash. .344" I.D. x 1.0"
28	712-0237	1	S	Hex Cent. L-Nut 5/16-24 Thd.
29	736-0169	1	S/F	L-Wash. 3/8" I.D.
30	712-0241	1	/P	Hex Nut 3/8-24 Thd.
31	17765	1		Pintle Arm Ext. Plate
32	715-0156	1		Roll Pin 1/4" Dia. x .75" Lg.
33	720-0232	1	S	Knob
34	747-0601	1		Lock Up Rod
35	747-0763	1		Connection Rod
36	17757	1		Balancer Bracket
37	726-0281	1		Rod End Clevis Clips - R.H.
38	726-0280	1		Rod End Clevis Clips - L.H.
39	738-0296	1	S	Shld. Bolt .437" Dia. x .268"
40	736-3074	1		FI-Wash. .344" I.D. x 1.12"
41	738-0141	1	S	Shld. Bolt .437" Dia. x .35"
42	17738	1		Lock-Up Bracket
43	17756	1		Neutral Return Brkt. Ass'y.
44	17755	1		Bracket
45	712-0158	1	S	Hex Cent. L-Nut 5/16-18 Thd.
46	732-0387	1		Ext. Spring 2.5" Lg.
49	754-0372	1	S	"V"-Belt
50	756-0515	1		Flat Idler
51	712-0798	1	/P/F	Hex Nut 3/8-16 Thd.
52	756-0577	1		Idler Pulley 4.0" O.D.
53	756-0571	1		Transmission Pulley
54	731-1145	1		Hydro Fan
55	736-0427	1		Shld. Bolt .437" I.D. x 1.125"

132-736G190 LT-145 (1992)
Speed Selector, Clutch/Brake And Transaxle

Page 20 of 27

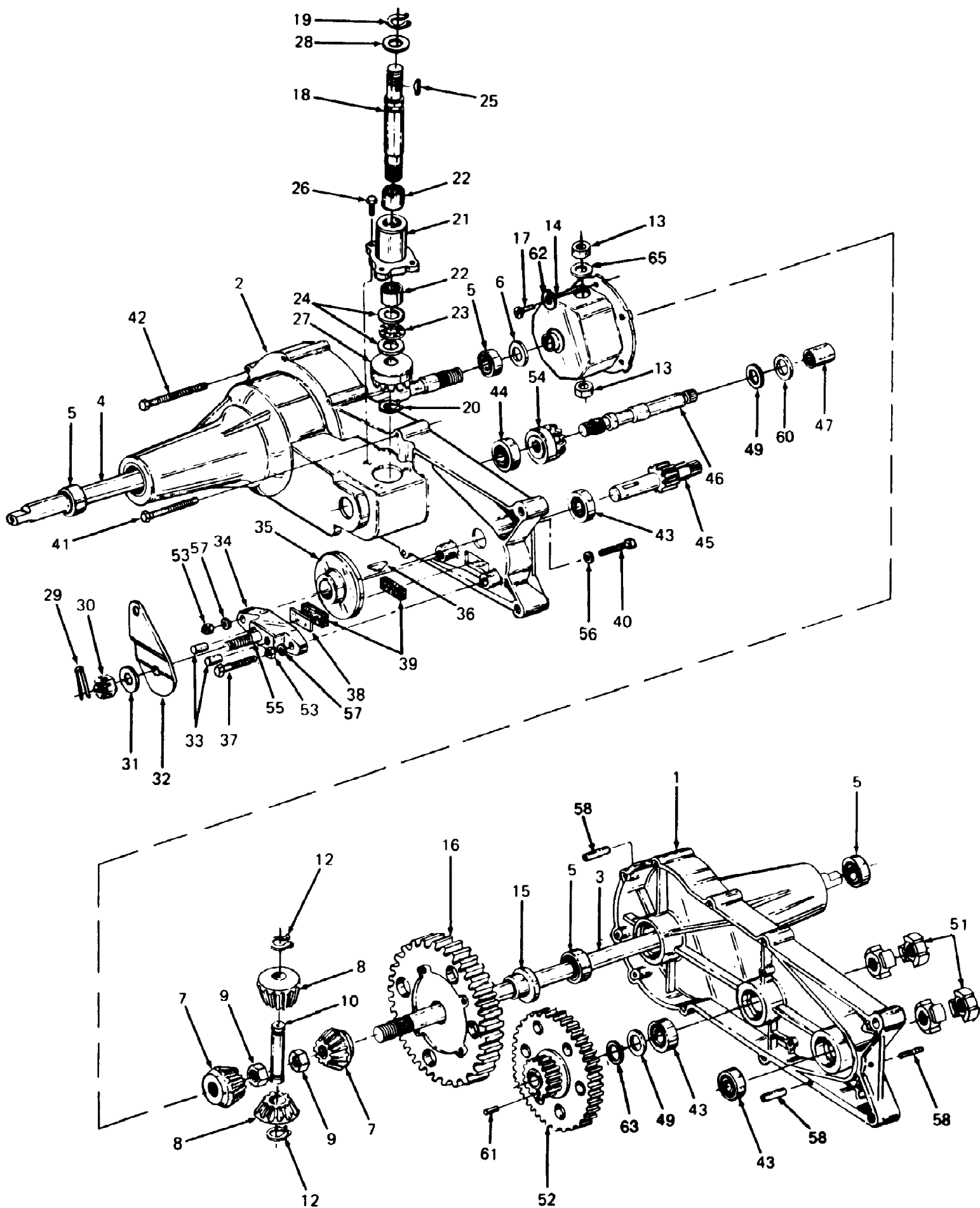
Ref #	Part Number	Qty	S/P/F	Description
56	712-3035	1	/P	Hex Jam Nut 9/16-18 Thd.
57	732-0641	1		Extension Spring
58	17358C	1	S	Belt Guard Brkt. Ass'y. Code: N notates a new part (not previously existing).
59	17818	1		Bracket
60	710-0603	1	/P	Hex B-Tap Scr. 5/16-18 x .5"
61	736-0261	1	S	Flat Tooth Washer 5/16" I.D.
62	735-0196	1	S	Foot Pad
63	17686A	1		Brake Rod Ass'y.
64	732-0649	1		Ext. Spring 3.67" Lg.
65	17715A	1		Clutch Brake Pedal Ass'y.
66	714-0470	1	S	Cotter Pin 1/8" Dia.
67	736-0140	1	S	FI-Wash. .385" I.D. x .62"
68	750-0802	1		Spacer .63" I.D.
69	736-0117	1	S	FI-Wash. .385" I.D. x .62"
70	736-0256	1	S	FI-Wash. .635" I.D. x 1.0"
71	710-0650	1	/P	Hex TT-Tap Scr. 5/16-18 x 7/8"
72	712-0123	1	/P	Hex Nut 5/16-24 Thd.
?76	712-0287	1	S/F	Hex Nut 1/4-20 Thd.
77	736-0242	1	/P	Bell-Wash. .345" I.D. x .88"
78	710-0190	1	/P	Hex Bolt 5/16-18 x 4.0" Lg.
79	714-0507	1	S	Cotter 3/32" Dia. x .75" Lg.
80	17860	1	S	Pedal Brkt.
81	714-0111	1	S	Cotter Pin 3/32" Dia. x 1.0" Lg.
82	714-0114	1	S	Sq.-Key 1/4" x 2.0"
83	756-0562	1	S	Engine Pulley
84	736-0322	1	/P	FI-Wash. 7/16" I.D. x 1.25"
85	736-0171	1	S	L-Wash. 7/16" I.D. (H.D.)
86	710-0757	1	/P	Hex Bolt 7/16-20 x 1.5" Lg.
87	710-1035	1	/P	Hex TT-Tap Scr. 3/8-16 Thd.
89	750-0748	1		Spacer 5/16" I.D.
90	732-0643A	1		Extension Spring 6.11" Lg. Code: N notates a new part (not previously existing).
97	710-0351	1	/P	Truss Mach. B-Tap Scr. #10 x .5" Lg.
98	725-3169A	1	S	Safety Switch (Clutch)
99	717-0950	1		Transaxle
100	720-0218	1	/P	Shift Knob
101	17734	1		Speed Selector Lever Ass'y.
102	732-0433	1		Ext. Spring 2.75" Lg.
103	710-0874	1	/P/F	Hex Bolt 5/16-18 x 1.25" Lg.
104	17742	1		Connection Brkt.
105	711-0404	1		Shoulder Nut
106	723-3011	1	S	Ball Joint 5/16-24 Thd.
107	710-0157	1	/P/F	Hex Bolt 5/16-24 x .75" Lg.
?109	712-0342	1	/P	Hex Jam Nut 3/8-16 Thd.
124	717-3049	1	S	Reservoir
126	750-0504	1		Spacer .375" I.D x .503
127	712-0266	1	S	Hex Jam Nut 3/8-16 Thd.
128	710-0604	1	S	Hex Wash. TT-Tap Scr. 5/16-18 x .62" Lg.
129	710-0974	1	/P	Hex Bolt 5/16-18 x 4.75" Lg.
130	736-0141	1	S	Spr.-Wash. .445" I.D. x .75" O.D.
131	710-0106	1		Hex Bolt 5/16-18 x 1.25" Lg.

132-736G190 LT-145 (1992)
Speed Selector, Clutch/Brake And Transaxle

Page 21 of 27

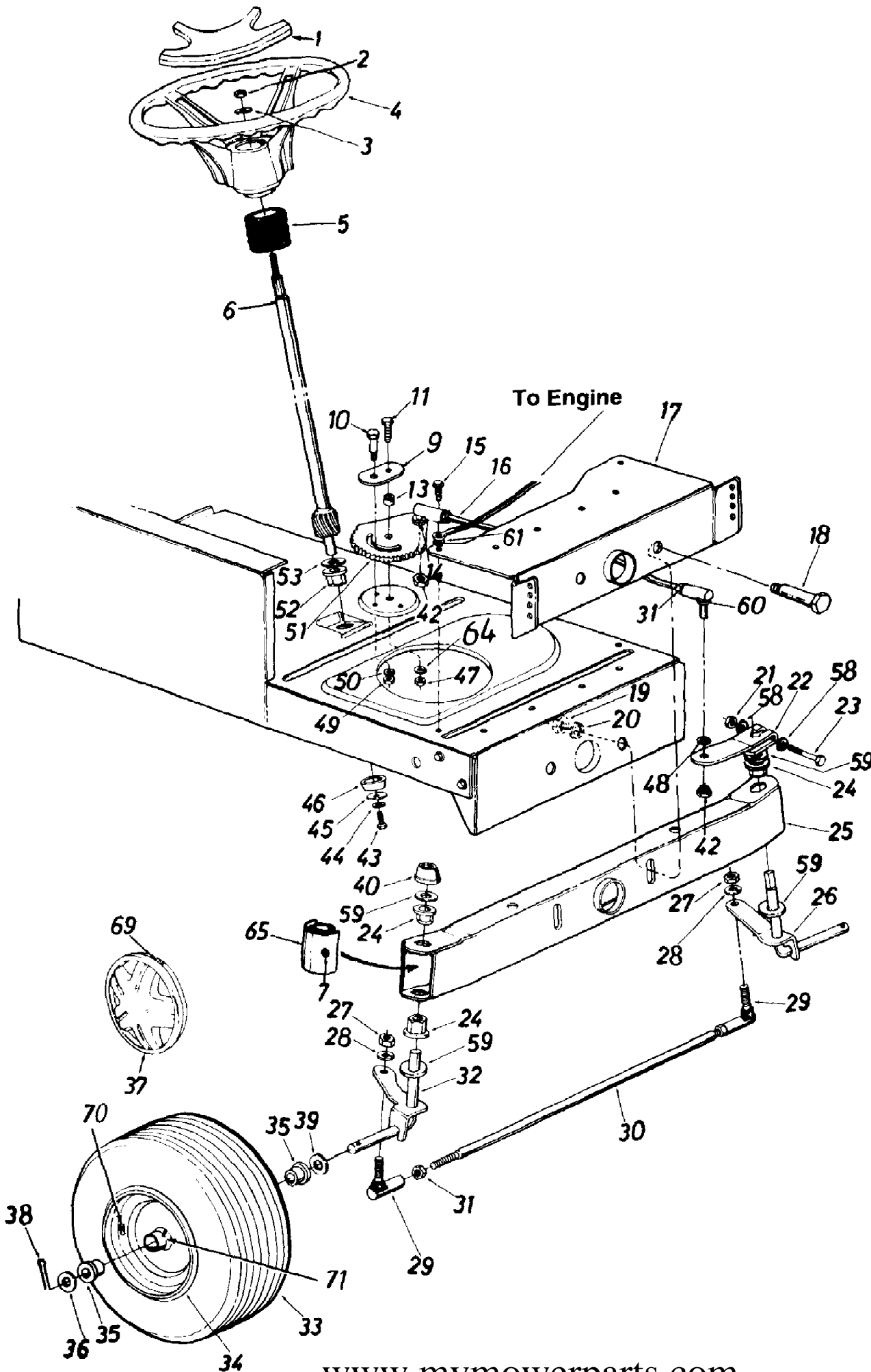
Ref #	Part Number	Qty	S/P/F	Description
132	736-0329	1	S/F	L-Wash. 1/4" I.D.
133	712-0287	1	S/F	Hex Nut 1/4-20 Thd.
136	710-0756	1		Hex Bolt 3/8-16 x 2.5" Lg.
137	17962	1		Switch Plate
138	750-0782	1		Engine Pulley Spacer

132-736G190 LT-145 (1992)
Transaxle P/N 717-0950 I



Ref #	Part Number	Qty	S/P/F	Description
	717-0950	1		Transaxle
1	AF-44077	1	S	Housing Half, L.H.
2	AF-44076	1	S	Housing Half, R.H.
3	AF-44393	1		Axle, L.H.
4	AF-44392	1		Axle, R.H.
5	AF-44121	4	S	Bearing, Ball
6	AF-44008	1	S	Washer, Flat, .76" x 1-1/8" x .306" Thk. Hdn.
7	717-1019	2	S	Gear, Miter
8	717-1020	2	/P	Gear, Miter
9	712-0200	2	S	Nut, Hex Jam Patch Lock, 1/2-20
10	717-0673	1	S	Shaft, Cross
?11	736-0369	1	S	Washer, Flat .505" I.D. x 1.0"
12	716-0142	2	S	Ring, Snap
13	717-0690	2	S	Bearing, Thrust
14	717-0777	1	S	Housing Ass'y. Differential
15	741-0376	1	S	Bearing, Flange, .75" I.D. x .587"
16	717-0759	1	S	Gear, Differential, 72 Tooth
17	710-1017	1	/P	Torx Hd. AB-Tap Scr. 1/4 x .62" Lg.
18	AF-44270	1	S	Shaft, Input
19	716-0115	1	S	Ring, Snap
20	716-0108	1	S	Ring, Retaining, Ext. 7/16" Dia.
21	AF-44081	1		Bearing, Input Housing
22	741-0335	2	S	Bearing, Needle, 5/8" I.D. x .50" Lg.
23	AF-44139	1	S	Bearing, Thrust
24	AF-44109	2	S	Washer, Flat, 5/8" I.D. x 1.12" O.D. x .030" Thk.
25	714-0129	1	S	Key #4 Hi-Pro, 3/32" x 5/8" Dia. (Hdn.)
26	AF-44122	3		Screw, Hex Patch Lock, 1/4-20 x 3/4" Lg.
27	AF-44078	1		Gear, Input Pinion, 17 Tooth
28	736-0336	2	S	Washer, Flat, .62" I.D. x 1.0" O.D. x .030" Thk.
	736-0349	A/R	S	Washer, Flat, .62" I.D. x 1.0" O.D. x .020" Thk.
	736-0337	A/R	S	Washer, Flat, .62" I.D. x 1.0" O.D. x .040" Thk.
	AF-44371	A/R	S	Washer, Flat, .62" x 1.0" O.D. x .50" Thk.
29	714-0507	1	S	Pin, Cotter
30	712-0335	1	S	Nut, Castle, 5/16-24 Thd.
31	736-0371	1	/P	Washer, Flat, .343" x .88" x .062" Thk.
32	AF-44094	1		Arm, Brake Actuator
33	741-0343	2	S	Pin, Actuating, 5/16" Dia.
34	717-0679	1		Yoke, Brake
35	717-0677	1	/P	Disc, Brake
36	714-0161	1	S	Key, Hi-Pro, 3/16" x 5/8" Dia.
37	AF-44276	1		Screw, Hex Patch Lock, 1/4-20 x 1.5" Lg.
38	717-0682	1	S	Plate, Puck
39	717-0678	2	S	Puck, Brake
40	AF-44277	1		Screw, Hex Cap, 1/4-20 x 1.5" Lg.
41	AF-44123	2		Screw, Hex Self-Tap, 1/4-20 x 2.0" Lg.
42	AF-44124	6		Screw, Hex Self-Tap, 1/4-20 x 2.75" Lg.
43	741-0155			

Ref #	Part Number	Qty	S/P/F	Description
44	741-0361	1	S	Bearing, Ball
45	AF-44083	1	S	Shaft, Pinion w/11 Tooth Gear
46	AF-44080	1	S	Shaft, Drive
47	AF-44342	1	S	Bearing, Needle
49	AF-44110	1		Washer, Flat, 5/8" x 1.12" x .060" Thk.
	AF-44371	A/R	S	Washer, Flat, 5/8" x 1.12" x .050" Thk.
51	AF-44084	4	S	Coupling
52	AF-44082	1	S	Gear, Tooth 60 & 17
53	712-0298	1	S	Nut, Hex Jam, 1/4-20 Thd.
54	AF-44079	1	S	Gear, Drive Pinion, 17 Tooth
55	717-0796	1	/P	Bolt, Square Hd. 5/16-24 Thd.
56	736-0176	1	S	Washer, Flat, .265" x .938" x .12" Thk.
57	736-0329	1	S	Washer, Lock, 1/4" I.D.
58	AF-44269	3		Pin, Roll, 3/16 Dia. x .50" Lg.
?59	737-3047	16 oz.		Grease, Transmission
60	AF-44343	1	S	Bronze Thrust Brg. 5/8" I.D.
61	AF-44346	1		Dowel Pin 3/32" x 1/4"
62	AF-44504	4		Washer, Spring Lock 1/4" I.D.
63	AF-44394	1	S	Seal, Grease
65	736-0369	1	S	Washer, Flat, .62" I.D. x 1.0" O.D. x .020" Thk.
	AF-44421	A/R		Washer, Flat, .62" I.D. x 1.0" O.D. x .030" Thk.



132-736G190 LT-145 (1992)
Transaxle P/N 717-0950 II

Page 26 of 27

Ref #	Part Number	Qty	S/P/F	Description
	717-0950	1		Transaxle
1	731-1344	1		Steering Wheel Insert Code: N notates a new part (not previously existing).
2	712-0237	1	S	Hex L-Nut 5/16-24 Thd.
3	736-0242	1	/P	Belleville Wash. .345" I.D.
4	631-0005	1	S	Steering Wheel Code: N notates a new part (not previously existing).
5	731-0954	1	S	Steering Bellow
6	738-0743	1	/P	Steering Shaft
7	737-0280	1	S	Grease Fitting
9	17198A	1	S	Retainer Plate
10	738-0141	1	S	Shoulder Bolt .437" Dia. x .35" Lg. 5/16-18 Thd.
11	710-0152	1	S	Hex Bolt 3/8-24 x 1.0" Lg. (Grade 5)
13	750-0535	1	S	Spacer .380" I.D. x .625" O.D. x .227"
14	736-0169	1	S/F	L-Wash. 3/8" I.D.
15	710-0726	1	/P	Hex Wash. Hd. Self-Tap Scr.
16	711-0788	1	S	Steering Drag Link
17	17621	1	S	Front Pivot Brkt.
18	738-0527	1	S	Shoulder Bolt .498" Dia. x 2.04" Lg. 3/8-16 Thd.
19	712-0798	1	/P/F	Hex Nut 3/8-16 Thd.
20	736-0169	1	S/F	L-Wash. 3/8" I.D.
21	712-0237	1	S	Hex Cent. L-Nut 5/16-24 Thd.
22	16481A	1	S	Steering Arm Front Axle
23	710-0772	1	/P	Hex Bolt 5/16-24 x 2.00" Lg. (Grade 5)
24	741-0487A	1	S	Hex Flg. Brg. .632" I.D. Code: N notates a new part (not previously existing).
25	683-0002	1	S	Pivot Bar Ass'y. Code: N notates a new part (not previously existing).
26	17585	1	/P	Front Axle Ass'y. - L.H.
27	712-0241	1	/P/F	Hex Nut 3/8-24 Thd.
28	736-0169	1	S/F	L-Wash. 3/8" I.D.
29	723-3018	1	S	Ball Joint 3/8-24 Thd.
30	747-0753	1		Tie Rod
31	712-0711	1	/P/F	Hex Jam Nut 3/8-24 Thd.
32	17584	1	/P	Front Axle Ass'y. - R.H.
33	634-0059	1	F	Wheel Ass'y. Comp.
	734-0864	1	/P/F	Tire Only
34	634-0051	1	S	Front Wheel Rim Only
35	741-0569	1	S	Bearing
36	736-0285	1	/P	FI-Wash. .635" I.D. x 1.59" O.D.
37	734-1756	1		Hub Cap Code: N notates a new part (not previously existing).
38	714-0470	1	S/F	Cotter Pin 1/8" Dia. x 1.25" Lg.
39	736-0187	1	/P	FI-Wash. .640" I.D. x .24" O.D.
40	726-0214	1	/P	Push Cap
42	712-0446	1	S	Hex Jam Nut 3/8-24 Thd.
43	710-0538	1	/P/F	Hex L-Bolt 5/16-18 x .62"

132-736G190 LT-145 (1992)
Transaxle P/N 717-0950 II

Page 27 of 27

Ref #	Part Number	Qty	S/P/F	Description
44	736-0119	1	S/F	L-Wash. 5/16" I.D.
45	736-0343	1	/P	FI-Wash. .33" I.D. x 1.25" O.D.
46	750-0532	1	S	Spacer (Plastic)
47	712-0214	1	S	Hex Cent. L-Nut 3/8-24 Thd.
48	736-0169	1	S/F	L-Wash. 3/8" I.D.
49	712-0158	1	S	Hex Cent. L-Nut 5/16-18 Thd.
50	736-0119	1	S/F	L-Wash. 5/16" I.D.
51	717-0622A	1	S	Steering Gear Segment
52	741-0225	1	S	Hex Flg. Brg. .634 I.D.
53	736-0187	1	/P	FI-Wash. (Hardened)
58	736-0271	1	S	Wave Wash. .32" I.D. x .62"
59	736-0187	1	/P	FI-Wash. (Hardened)
60	723-3018	1	S	Drag Link Ball Joint 3/8-24 Thd.
61	736-0607	1	/P	Ext. L-Wash. 5/16" I.D.
64		1		UNKNOWN
65	731-1291	1	S	Pivot Bar End Cap Code: N notates a new part (not previously existing).
69	727-0425B	1	S	Spring Clip Code: N notates a new part (not previously existing).
70	734-0255	1	S	Air Valve
71	737-0280	1	S	Grease Fitting